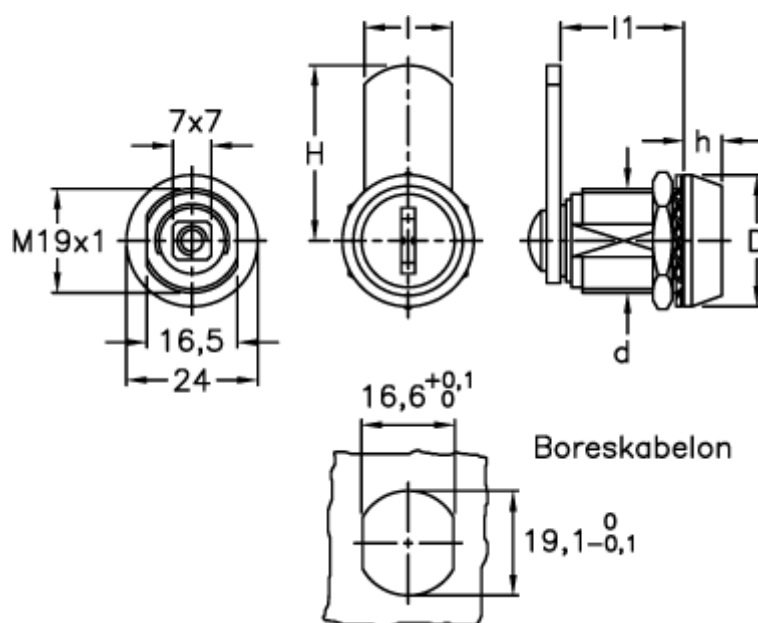


Article number: 2310421611

Description: E+G Latch w/safety lock  
CX/A-32

## Measures



d = M19x1

D = 24

H = 32.0

h = 7

l = 16

l1 = 22.5